

MICROSPOT DWG VIEWER 1.7

Why Microspot DWG Viewer?

Microspot DWG Viewer is a product based on Microspot MacDraft Professional which enables AutoCAD DWG files produced on a PC to be opened and viewed on Apple Macintosh Computers running Mac OSX (v10.4) or later

During the opening of the DWG file the user can choose the layout to be opened or open the Model from from a list of the available layouts. The scale and units for the file can then be chosen or DWG Viewer can do it automatically.

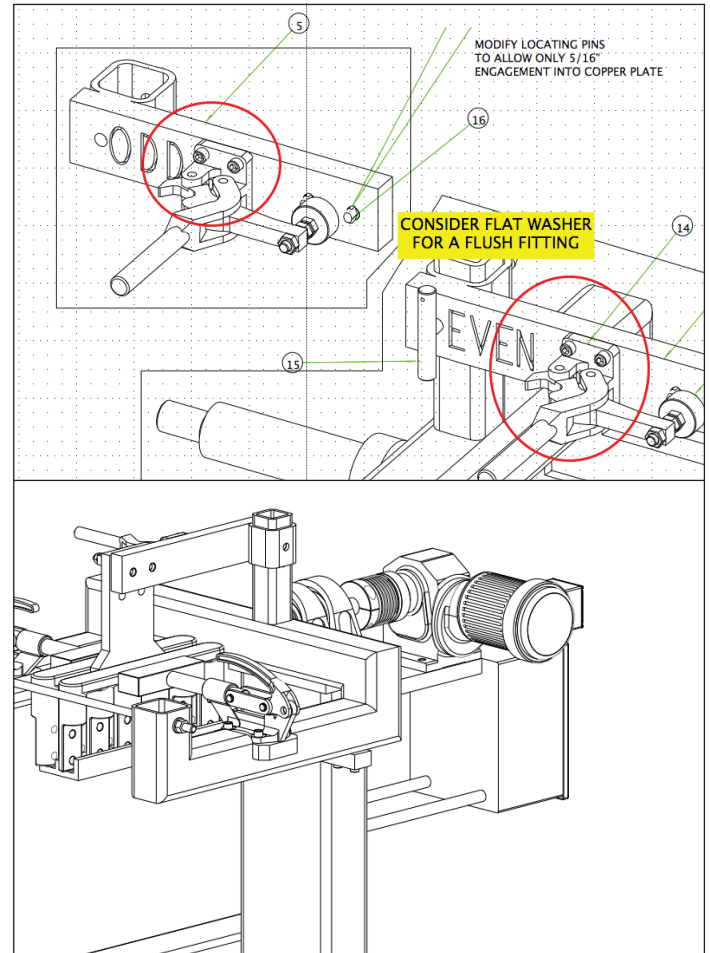
The document layers are then visible via the Layers palette and can be grayed or hidden to make the working easier and faster. Alongside the existing layers is an Annotation layer that allows you to mark up your drawing with comments using elliptical markers and text. The elliptical marker has a red frame and the text has a yellow background, making the markings in your drawing obvious to the recipient.

The resulting document can then be saved as a PDF with the annotations and then printed. The Zoom tools and the Hand tool allow you to enlarge any section of the drawing and scroll around.

Why not try it before you buy it?

There is a free trial available so you can try the product with no obligation. You can use the full product, but printing and saving will include a watermark on your document. We are highly praised for our technical support which is available free by email or phone and we have a knowledge base and forum to help you when our offices are closed.

Microspot DWG Viewer is a step in the right direction bridging the gap between the PC and the Mac, bringing them ever closer together. With DWG Viewer you are free to work through your DWG files without the need to worry about operating system compatibility. Free your creativity with a PC file compatible, CAD viewing solution.



With Microspot DWG Viewer viewing, annotating and saving/printing your DWG files has never been easier, faster or more affordable. With its simplicity and power DWG Viewer is the perfect tool for those that don't need an expensive CAD application, but require a simple but effective viewing tool and with Microspot DWG Viewer, its all yours. Four reasons why:

- Simple mark-up and annotation tools with easy to use navigation tools.
- Opens Layouts as well as the model, giving control over the scales and units used.
- Control over the visibility of the existing layers.

MICROSPOT DWG VIEWER 1.7

View, Annotate and Print your AutoCAD DWG files on your Mac. It's **Fast, Easy** and **Affordable** with **Microspot DWG Viewer**. Bridging the gap between PC and Mac, giving you a solution that works.

- ✓ Email & Telephone Support
- ✓ Online Community Forum
- ✓ Tutorials & Sample Files

DWG VIEWER FEATURES...

Navigate, mark-up and annotate

The Tool palette offers a full complement of tools. Users can easily navigate through their AutoCAD files via the zoom and hand tools, red mark-up can be added using the ellipse tool and annotation with yellow background can be inserted using the text tool.

Open layouts and the model space

The user has the ability to open not just the model space but also any layouts that the file contains. You can then decide the Scale and the units you wish to use.

Layer control

Once your DWG file has been opened in the DWG Viewer you will be able to see all the layers in the document via the layers palette. These layers can be hidden or grayed giving you full control over exactly what you want to see and what you don't.

Viewing, marking up and annotating



Hand and **Zoom** tool to help when navigating and viewing the file.

The **Ellipse** and **Text** tool for marking up and annotating your drawing.

MARK-UP & ANNOTATE

Finalising your drawing

You have two options at this stage, you can either save the file as a pdf or you can print the file. It's that simple, and best of all you don't need to purchase any high cost CAD software for it!

System Requirements?

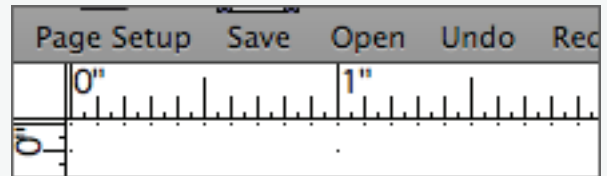
Macintosh OS X 10.4 or higher, Power Mac G4 or higher, 256MB Memory (RAM), Minimum Screen Resolution of 1024 x 768

WHAT'S NEW IN **VERSION 1.7**

- A customizable toolbar with a large number of menu commands that can be accessed there, greatly increasing the speed of working and therefore the viewing efficiency.



- A new and improved Layers palette which has been redesigned to allow for easier manipulation of documents with multiple layers. This gives you the control over the visibility of the layers within the DWG file much faster and more efficiently.
- Customizable scales to fill in any gaps in the default scales, making the product much more flexible.
- Decimal rulers in English and Metric units now increment to 10 sub divisions rather than 8 as it did before. Alongside improved coordinate handling within the application, giving you a truer scale representation on screen. Which in short means 1 inch on screen is more-or-less 1 physical inch measured with a ruler on the screen.



- Improvements to the handling of text including the ability to distinguish between multiple fonts, font sizes and font styles. Alongside these changes is the incorporation of the Clipped Text Frame. With this option enabled a red frame appears to alert you to when your paragraph text is flowing outside of its bounding frame (text box).
- Reads AutoCAD 2010/2011/2012 DWG Files, bringing your PC and your Mac even closer together.

For **more information** on what Microspot DWG Viewer can offer, visit the website at www.microspot.co.uk/products/dwgviewer

PAY A VISIT TO OUR **WEBSITE** AND DOWNLOAD THE DWG VIEWER **DEMO**

www.microspot.com

T +44 (0)1622 687771 **E** sales@microspot.co.uk